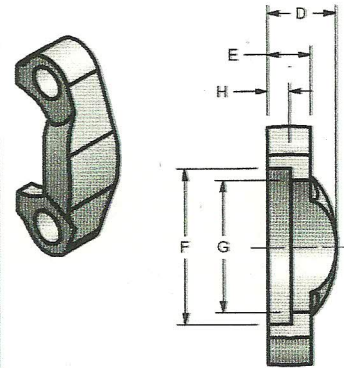
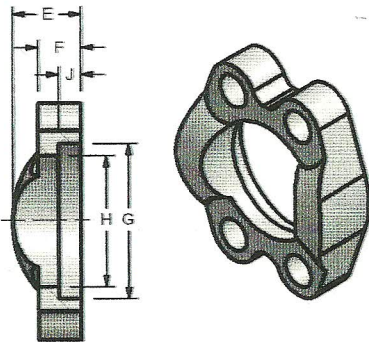
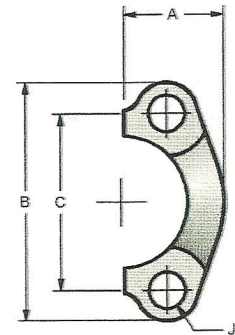


# SAE J518 Split & Captive Flange

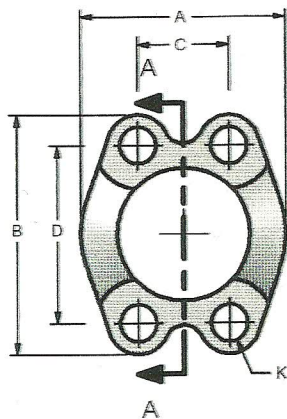
CODE 61 SPLIT FLANGE											
FLANGE SIZE	A	B	C	D	E	F	G	H	J	MOUNTING HARDWARE	
										O-RING	HHCS
.50	.86	2.12	1.500	.80	.50	1.219	.955	.245	.344	210	5/16-18X1.25
.75	.98	2.56	1.875	.93	.56	1.531	1.265	.245	.406	214	3/8-16X1.25
1.00	1.11	2.75	2.062	.99	.62	1.781	1.515	.295	.406	219	3/8-16X1.25
1.25	1.39	3.12	2.312	.93	.56	2.031	1.720	.295	.469	222	7/16-14X1.50
1.50	1.58	3.69	2.750	1.05	.62	2.406	2.000	.295	.531	225	1/2-13X1.50
2.00	1.86	4.00	3.062	1.08	.62	2.844	2.470	.355	.531	228	1/2-13X1.50
2.50	2.09	4.50	3.500	1.55	.75	3.344	2.950	.355	.531	232	1/2-13X1.75
3.00	2.53	5.31	4.188	1.67	.88	4.031	3.580	.355	.656	237	5/8-11X1.75
3.50	2.70	6.00	4.750	1.17	.88	4.531	4.030	.422	.656	241	5/8-11X2.00
4.00	2.95	6.38	5.125	1.43	1.00	5.031	4.530	.422	.656	245	5/8-11X2.00



CODE 62 SPLIT FLANGE											
FLANGE SIZE	A	B	C	D	E	F	G	H	J	MOUNTING HARDWARE	
										O-RING	HHCS
.50	.89	2.22	1.594	.88	.62	1.281	.970	.285	.344	210	5/16-18X1.25
.75	1.14	2.81	2.000	1.12	.75	1.656	1.280	.325	.406	214	3/8-16X1.50
1.00	1.33	3.19	2.250	1.31	.94	1.906	1.530	.355	.469	219	7/16-14X1.75
1.25	1.48	3.75	2.625	1.50	1.06	2.156	1.750	.385	.531	222	1/2-13X1.75
1.50	1.83	4.44	3.125	1.69	1.19	2.531	2.030	.475	.656	225	5/8-11X2.25
2.00	2.20	5.25	3.812	2.06	1.44	3.156	2.660	.475	.781	228	3/4-10X2.75



CODE 61 CAPTIVE FLANGE											
FLANGE SIZE	A	B	C	D	E	F	G	H	J	K	K UNC-2B
.75	2.06	2.56	.875	1.875	.88	.56	1.531	1.265	.245	.406	3/8-16
1.00	2.31	2.75	1.031	2.062	.94	.62	1.781	1.515	.295	.406	3/8-16
1.25	2.88	3.12	1.188	2.312	.88	.56	2.031	1.720	.295	.469	7/16-14
1.50	3.25	3.69	1.406	2.750	1.00	.62	2.406	2.000	.295	.531	1/2-13
2.00	3.81	4.00	1.688	3.062	1.03	.62	2.844	2.470	.355	.531	1/2-13
2.50	4.28	4.50	2.000	3.500	1.50	.75	3.344	2.950	.355	.531	1/2-13
3.00	5.16	5.31	2.438	4.188	1.62	.88	4.031	3.580	.355	.656	5/8-11
3.50	5.50	6.00	2.750	4.750	1.12	.88	4.531	4.030	.422	.656	5/8-11
4.00	6.00	6.38	3.062	5.125	1.38	1.00	5.031	4.530	.422	.656	5/8-11



CODE 62 CAPTIVE FLANGE											
FLANGE SIZE	A	B	C	D	E	F	G	H	J	K	K UNC-2B
.75	2.38	2.81	.938	2.000	1.12	.75	1.656	1.280	.325	.406	3/8-16
1.00	2.75	3.19	1.094	2.250	1.31	.94	1.906	1.530	.355	.469	7/16-14
1.25	3.06	3.75	1.250	2.625	1.50	1.06	2.156	1.750	.385	.531	1/2-13
1.50	3.75	4.44	1.438	3.125	1.69	1.19	2.531	2.030	.475	.656	5/8-11
2.00	4.50	5.25	1.750	3.812	2.06	1.44	3.156	2.660	.475	.781	3/4-10

# Flange Plug

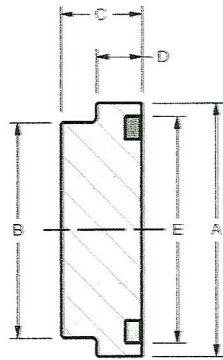
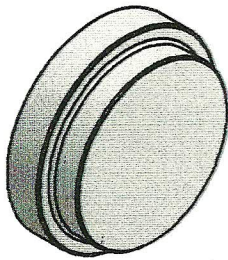


Figure 1

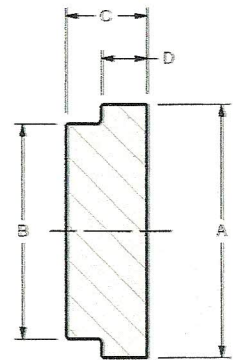
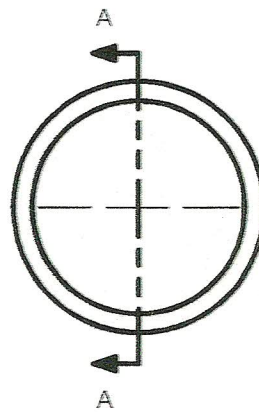


Figure 2

## CODE 61 FLANGE PLUG

FLANGE SIZE	A	B	C	D	E
.50	1.188	.924	.50	.265	1.000
.75	1.500	1.234	.56	.265	1.250
1.00	1.750	1.484	.56	.315	1.560
1.25	2.000	1.684	.56	.315	1.750
1.50	2.375	1.964	.62	.315	2.115
2.00	2.810	2.434	.62	.375	2.490
2.50	3.312	2.904	.68	.375	2.995
3.00	4.000	3.534	.75	.375	3.615

## CODE 62 FLANGE PLUG

FLANGE SIZE	A	B	C	D	E
.75	1.625	1.234	.690	.345	1.250
1.00	1.875	1.484	.810	.375	1.560
1.25	2.125	1.704	1.000	.405	1.750
1.50	2.500	1.984	1.190	.495	2.115
2.00	3.125	2.604	1.500	.495	2.490