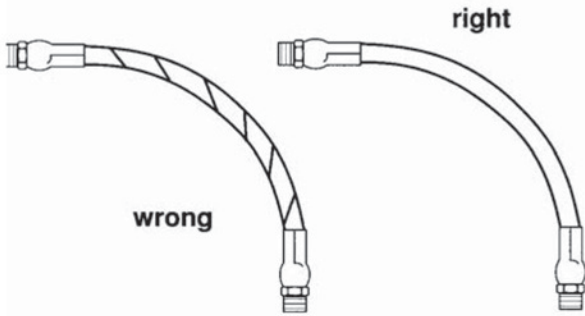
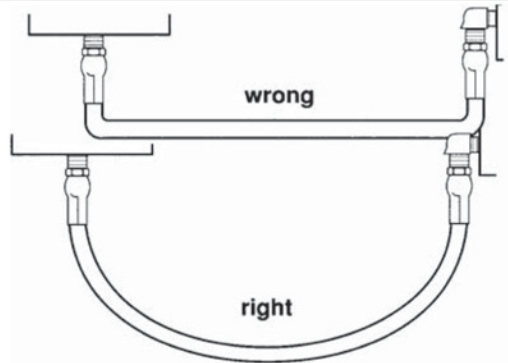


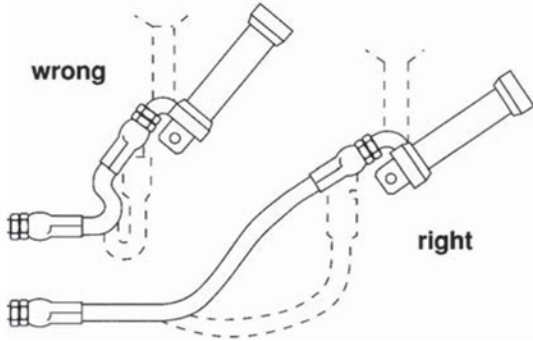
Hose Installation Tips



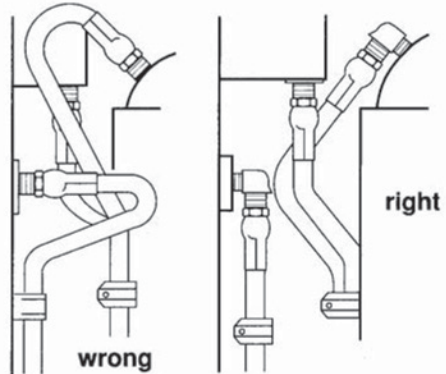
1. Hose is weakened when installed in twisted position. Pressure in twisted hose tends to loosen fitting connections. Design so that machine motion produces bending rather than twisting.



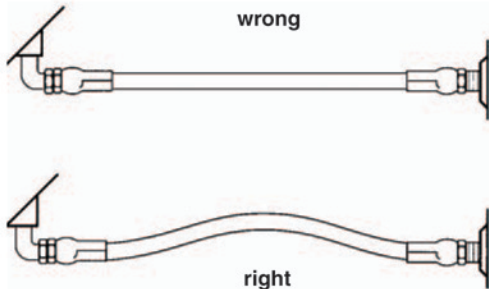
2. Ample bend radius should be provided to avoid collapsing of line and restriction of flow.



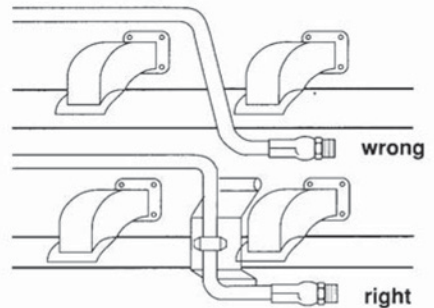
3. Exceeding minimum bend radius will greatly reduce hose assembly life.



4. Use elbows or other adapters as necessary to eliminate excess hose length and to insure neater installation for easier maintenance.



5. When hose assembly is installed in a flexing application, remember that metal hose fittings are not part of the flexible portion. Allow ample free length for flexing.



6. When properly routing, use clamps to secure the hose in its proper position.